

8960

INDUSTRIAL  
BUSINESS  
CITY LOTS  
TOPOGRAPHIC MAPPING

### C. E. COULTER LAND SURVEYOR

REGISTERED UNDER LAWS OF STATE OF MINNESOTA  
LICENSED BY ORDINANCE OF CITY OF MINNEAPOLIS  
3300 LYNDALE AVE. SO. MINNEAPOLIS 8, MINN.  
TAYLOR 4-0370

*SURVEY FOR GROSS & MATHIASON*

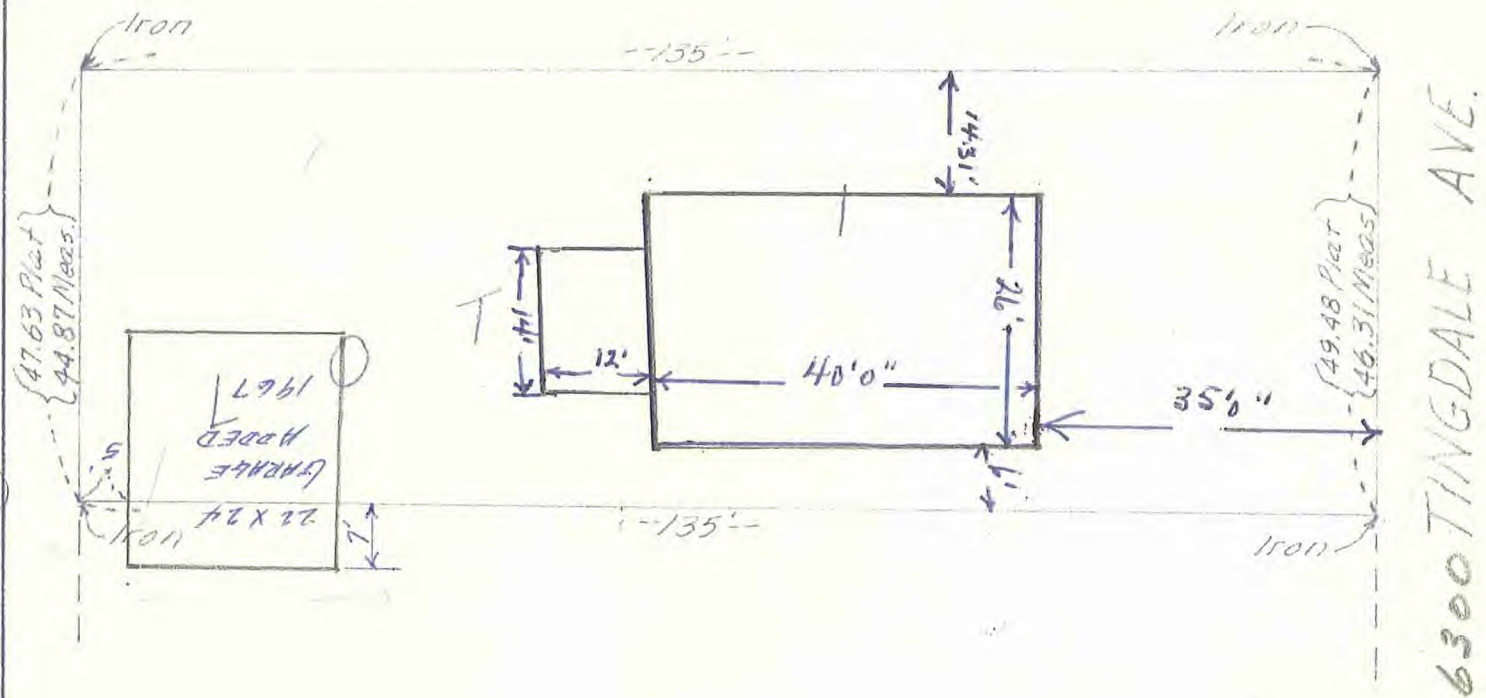
Surveyor's Certificate

PLATTING  
FARM SURVEYS  
LAKESHORE  
JUDICIAL



SCALE: 1" = 20'

W. 63<sup>RD</sup> ST.



I hereby certify that the above is a true and correct plat of a survey of:  
 Lot One (1), Block Four (4), "Normandale Second Addition", Hennepin County, Minnesota.  
 As surveyed by me this 23rd day of May, 1958 A.D.

Signed C. E. Coulter  
 Minnesota, Registration No. 2564

6300 Tingdale Ave.  
 04.116.21.21.0041